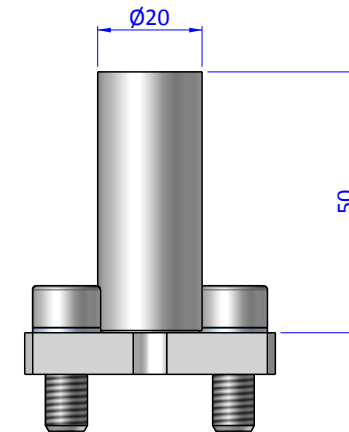
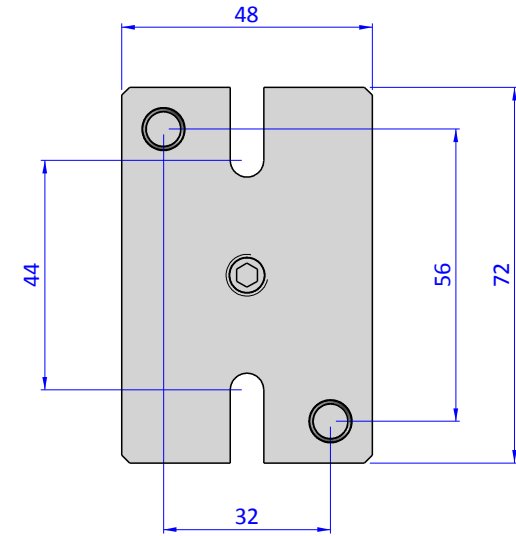
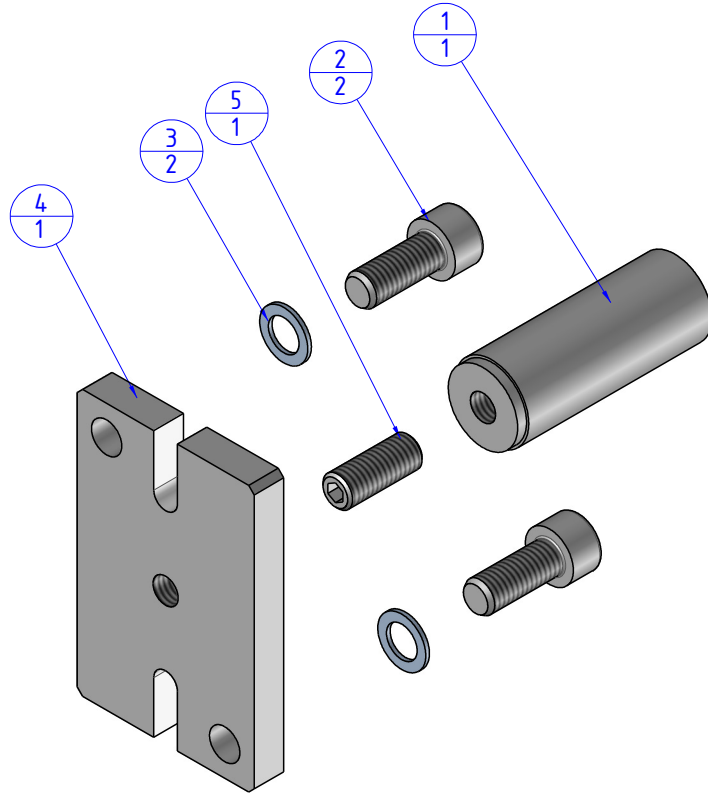


THE PROPERTY OF THE DRAWING IS ESTABLISHED BY LAW. IT IS FORBIDDEN TO PRODUCE OR SHOW IT TO THIRD PART. WITHOUT A WRITTEN AGREEMENT.

Item	Name	Q.ty
1	APGE.20.50	1
2	V.TCE8x20	2
3	R.8.SCH	2
4	APGE.40	1
5	V.STM8x20	1



Format A3

UNI 936-76

		DESIGNED FROM		REVIEW
		FPS Automation		A
GENERAL TOLERANCE		DATE	WEIGHT	
UNI - ISO 2768		14/05/2019	0,135kg	
CLASSE f	DESCRIPTION	CODE		
	CA.APGE.40.20.50	CA.APGE.40.20.50		